

## Identification Data



October 20, 2021

LAB GROWN DIAMOND  
Certificate No: 312830001

### Gemprint®

Gemprint is the unique optical fingerprint for positive identification of your lab grown diamond. Register your lab grown diamond at [www.Gemprint.com](http://www.Gemprint.com) and receive insurance discounts up to 10%.



### Laser Inscription:

The illustration depicts enlarged and approximate appearances of the inscriptions. Girdle laser inscribed "LAB GROWN PAT. 6,858,078", GCAL Logo and "LG312830001"



## The 4Cs Grading Analysis

GCAL 312830001

LAB GROWN DIAMOND\*

**Carat Weight:**

0.73

**Cut:**

Excellent

**Shape:**

Princess

**Measurements:**

4.98x4.76x3.42mm

**Optical Brilliance:**

Excellent

**Optical Symmetry:**

Very Good

**Polish:**

Excellent

**External Symmetry:**

Very Good

**Girdle Thickness:**

SI.Thick-Thick

**Culet Size:**

None

**Color:**

K

**Fluorescence:**

None

**Clarity:**

VS1

**Identifying Characteristic(s):**

Cloud

**Characteristic Location(s):**

Crown Shoulder

\*Comments: This laboratory grown diamond was created by the CVD (Chemical Vapor Deposition) method, and has the same chemical, physical, and optical properties as a mined diamond. This diamond is Type IIa, which means it is devoid of nitrogen impurities. As Grown - No evidence of post-growth treatment was detected.

### Photomicrographs:

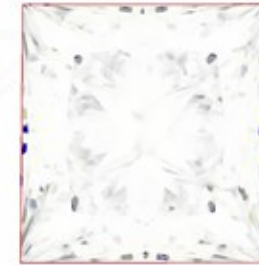
Actual images of the crown (top) and pavilion (bottom) of this diamond photographed at magnifications up to 10x.



## Light Performance Profile

### Optical Brilliance Analysis:

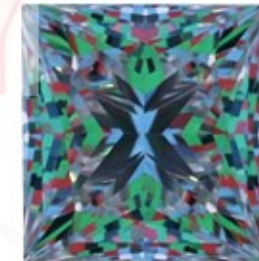
Brilliance is the overall return of light to the viewer. The brilliance image is a representation of (a) white areas of light return, or brilliance, and (b) dark-blue areas of light loss.



Optical Brilliance  
Excellent

### Optical Symmetry Analysis:

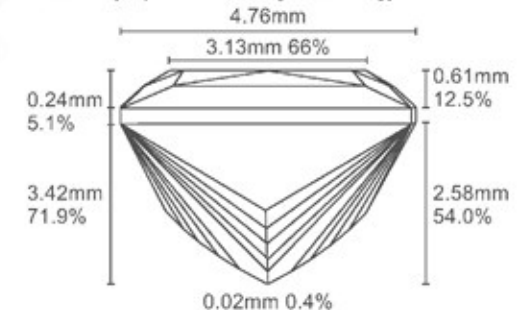
The colored areas of the symmetry image are indications of light handling ability, giving a visual representation of proportions and facet alignment.



Optical Symmetry  
Very Good

### Proportion Diagram:

The proportion diagram illustrates the actual dimensions as recorded by optical scanning technology.



**GCAL** GEM CERTIFICATION & ASSURANCE LAB  
ISO 17025 ACCREDITED FORENSIC LABORATORY

580 Fifth Ave LL-05  
New York, NY 10036  
T 212-869-8985  
GCALUSA.com



ISO/IEC 17025 2017  
ANAB L2177-1 Accredited Testing Lab

Guaranteed Lab Grown Diamond Grading Certificate