

## Identification Data



December 15, 2021

LAB GROWN DIAMOND  
Certificate No: 313430186

**Gemprint**™ *The fingerprint system for diamonds®*



Gemprint is the unique optical identification fingerprint of your lab grown diamond. Register your lab grown diamond fingerprint at [www.Gemprint.com](http://www.Gemprint.com) and receive insurance discounts up to 10%.

### Laser Inscription



Girdle laser inscribed:  
GCAL LG313430186  
LAB GROWN PAT. 6,858,078  
This illustration depicts the approximate appearance of the inscriptions

*Certified*  
**SUSTAINABILITY RATED  
DIAMOND**  
SCS GLOBAL SERVICES

All certified diamonds come with an individual certificate, ONLY available at an accredited retailer



FOR THE SUSTAINABILITY RATED CERTIFICATE, SCAN HERE →

## The 4Cs Grading Analysis

GCAL 313430186

LAB GROWN DIAMOND\*

**Carat Weight:**

1.21

**Cut:**

Very Good

Shape:

Princess

Measurements:

5.84x5.60x4.12mm

Optical Brilliance:

Excellent

Optical Symmetry:

Good

Polish:

Very Good

External Symmetry:

Very Good

Girdle Thickness:

Thick

Culet Size:

None

**Color:**

F

Fluorescence:

None

**Clarity:**

VS1

Identifying Characteristic(s):

Chip/Pinpoints

Characteristic Location(s):

Pavilion Corner/Table

\*Comments: This laboratory grown diamond was created by the CVD (Chemical Vapor Deposition) method, and has the same chemical, physical, and optical properties as a mined diamond. This diamond is Type IIa, which means it is devoid of nitrogen impurities. As Grown - No evidence of post-growth treatment was detected.

**Photomicrographs:**

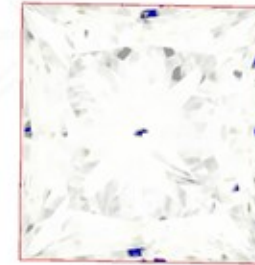
Actual images of the crown (top) and pavilion (bottom) of this diamond photographed at magnifications up to 10x.



## Light Performance Profile

**Optical Brilliance Analysis:**

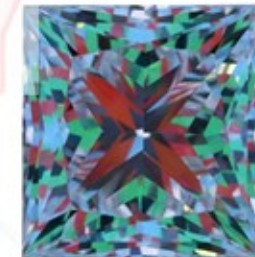
Brilliance is the overall return of light to the viewer. The brilliance image is a representation of (a) white areas of light return, or brilliance, and (b) dark-blue areas of light loss.



Optical Brilliance  
Excellent

**Optical Symmetry Analysis:**

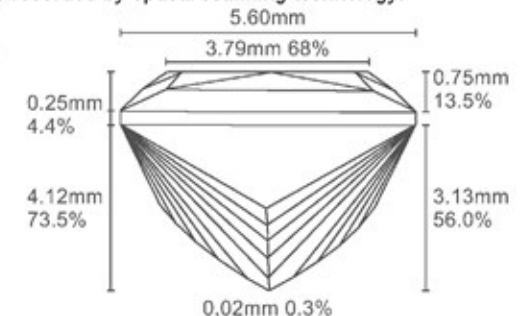
The colored areas of the symmetry image are indications of light handling ability, giving a visual representation of proportions and facet alignment.



Optical Symmetry  
Good

**Proportion Diagram:**

The proportion diagram illustrates the actual dimensions as recorded by optical scanning technology.



**GCAL** GEM CERTIFICATION & ASSURANCE LAB  
ISO 17025 ACCREDITED FORENSIC LABORATORY

580 Fifth Ave LL-05  
New York, NY 10036  
T 212-869-8985  
GCALUSA.com



ISO/IEC 17025 2017  
ANAB L2177-1 Accredited Testing Lab